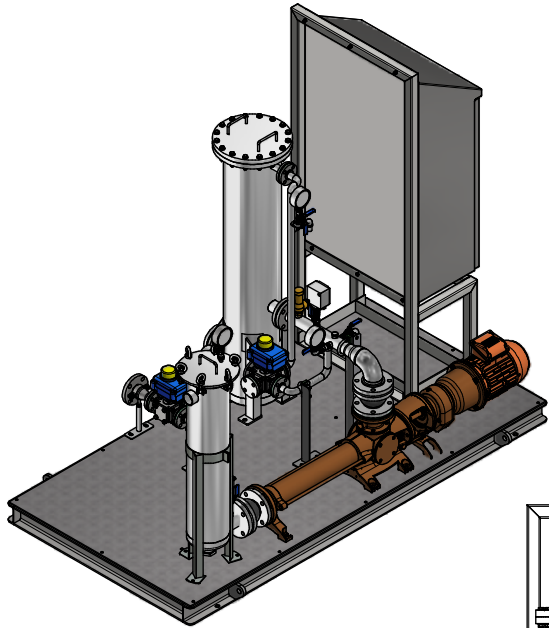
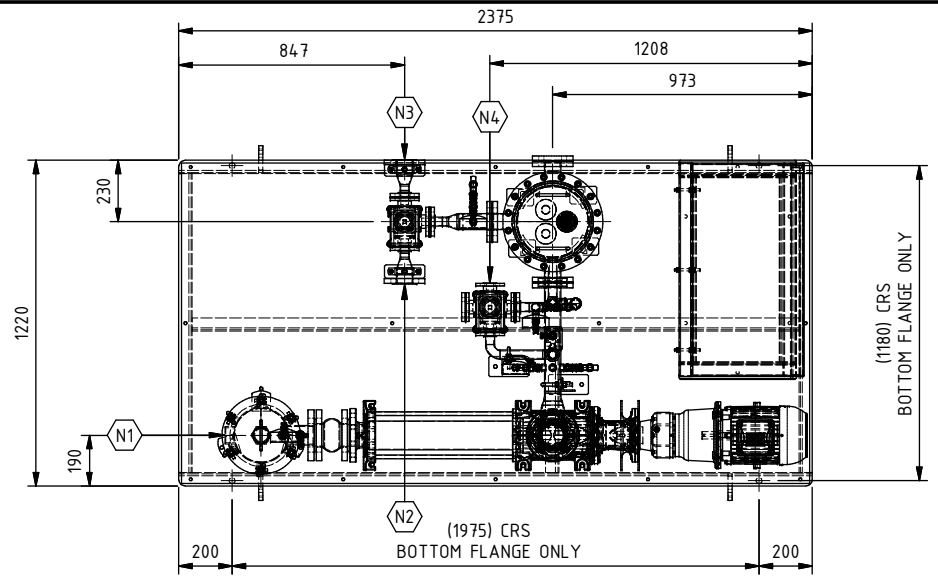


SITE CONNECTION DETAILS		
NOZZLE	SIZE	DESCRIPTION
N1	80NB CAMLOCK (MALE)	RAW FEED INLET
N2	50NB ANSI 150 FLANGE	TREATED WATER DISCHARGE
N3	50NB ANSI 150 FLANGE	RECYCLE WATER DISCHARGE
N4	25NB ANSI 150 FLANGE	OIL RICH STREAM DISCHARGE

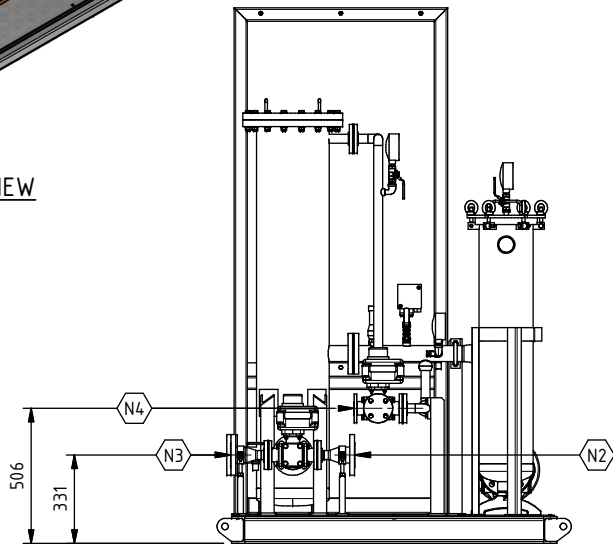
GENERAL NOTES:
 1: ALL DIMENSIONS IN MILLIMETRES
 2: GENERAL LINEAR TOLERANCE ±5.0mm



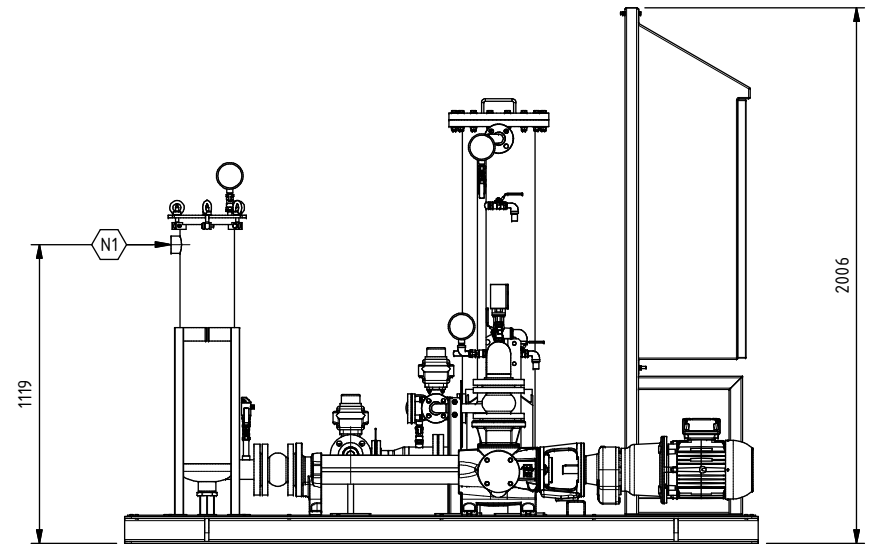
ISO VIEW
NTS



PLAN VIEW

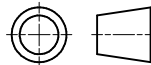


LEFT SIDE VIEW



FRONT VIEW

REV	DESCRIPTION	DRAWN	CHKD	DATE	DIMENSIONS IN MILLIMETRES UNLESS OTHERWISE STATED
0	ISSUED FOR APPROVAL	J.O'K.	I.S.	02/07/2015	IF IN DOUBT ASK DO NOT SCALE
					THIRD ANGLE PROJECTION UNLESS OTHERWISE STATED



ULTRASPIN PTY LTD
 46 WADHURST DRIVE, BORONIA, VIC. 3155
 PH +61 3 9800 1100 FAX +61 3 9800 1661

THIS DRAWING IS THE PROPERTY OF ULTRASPIN AND MUST NOT BE USED OR COPIED WITHOUT THEIR WRITTEN PERMISSION. FEATURES OF THE ULTRASPIN PRODUCTS AND PROCESS SHOWN ARE PATENTED OR PATENT PENDING. PROCESS AND EQUIPMENT DESCRIBED SHOULD NOT BE USED WITHOUT PRIOR WRITTEN CONSENT FROM

ULTRASPIN
 TM-TRADE MARK OF ULTRASPIN Pty Ltd

CONFIDENTIAL				
TITLE HD7 S1 OILY WATER SEPARATION SKID GENERAL ARRANGEMENT				
CLIENT				
SCALE 1:20	SIZE A3	DOC No. I-S-0064-01	SHEET 1 of 1	REV 0