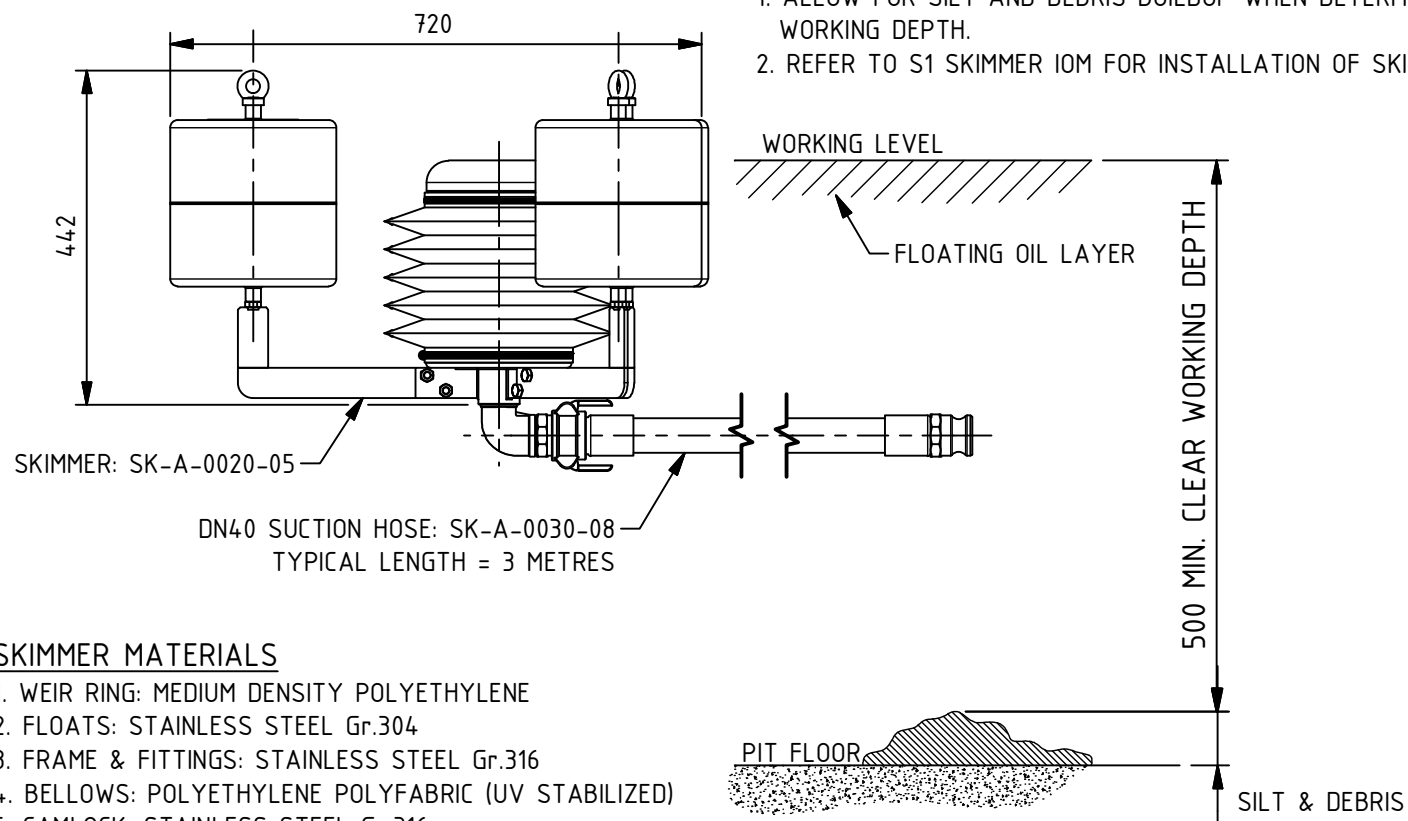


BASE S1 SKIMMING SYSTEM FOR 3.5m³ SYSTEMS

NOTES:

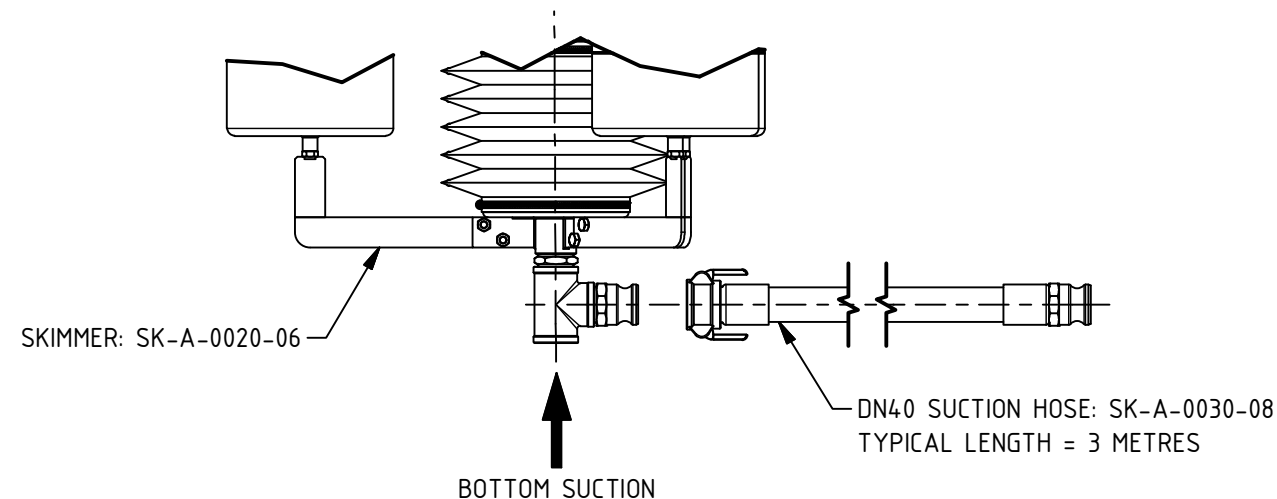
1. ALLOW FOR SILT AND DEBRIS BUILDUP WHEN DETERMINING CLEAR WORKING DEPTH.
2. REFER TO S1 SKIMMER IOM FOR INSTALLATION OF SKIMMER



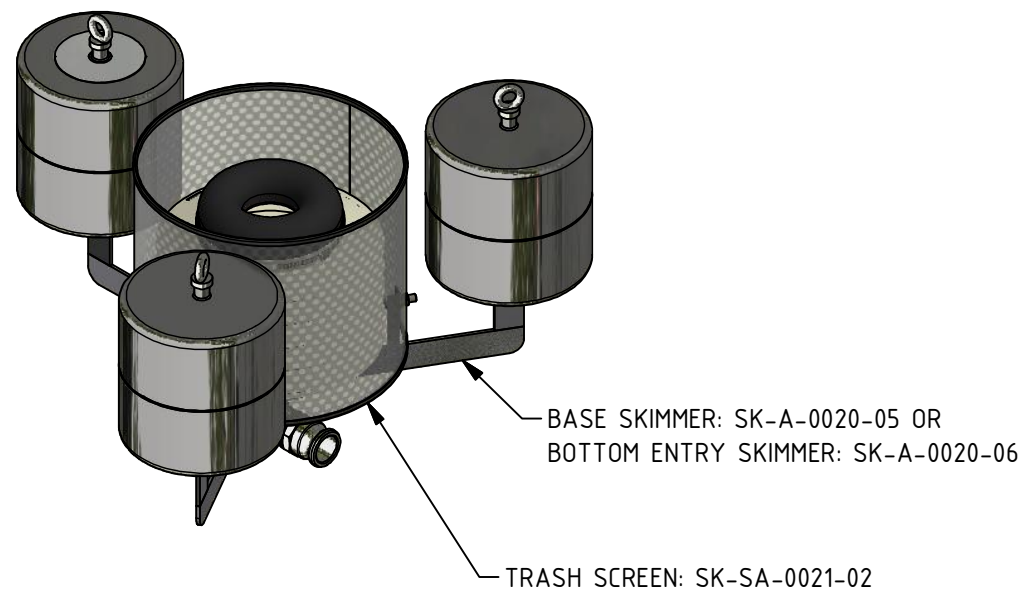
SKIMMER MATERIALS

1. WEIR RING: MEDIUM DENSITY POLYETHYLENE
2. FLOATS: STAINLESS STEEL Gr.304
3. FRAME & FITTINGS: STAINLESS STEEL Gr.316
4. BELLOWS: POLYETHYLENE POLYFABRIC (UV STABILIZED)
5. CAMLOCK: STAINLESS STEEL Gr.316

OPTION A: ADDITIONAL BOTTOM SUCTION FOR 7.0m³/h SYSTEMS

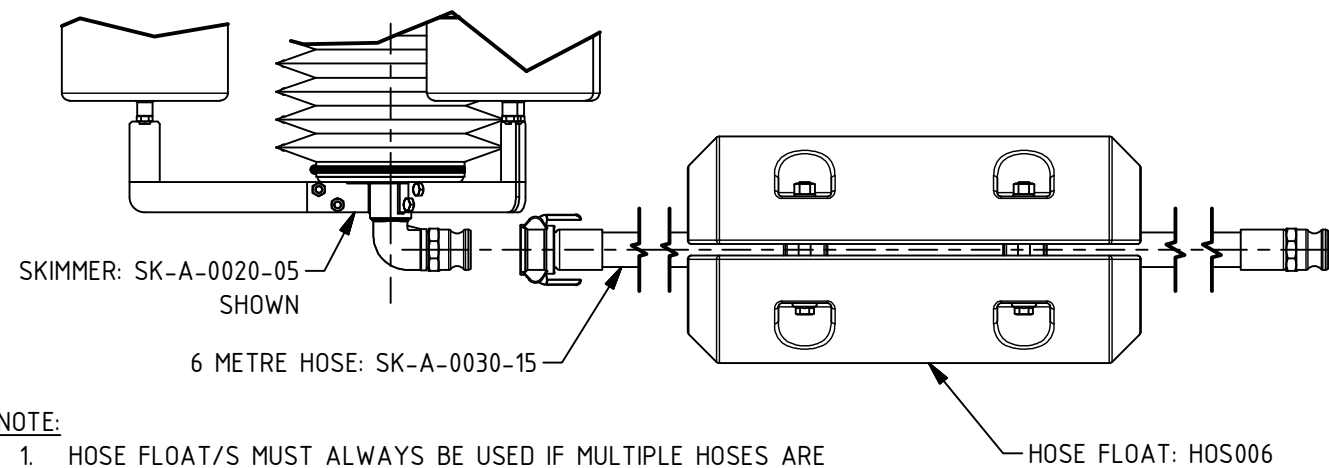


OPTION B: S1 SKIMMER WITH TRASH SCREEN



ISOMETRIC VIEW

OPTION C: HOSE FLOAT WITH LONGER SUCTION HOSE



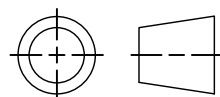
NOTE:

1. HOSE FLOAT/S MUST ALWAYS BE USED IF MULTIPLE HOSES ARE JOINED IN PIT, OR WHEN A 6m HOSE IS USED.

MATERIALS

1. BODY: UV RESISTANT POLYETHYLENE
2. FASTENERS: STAINLESS STEEL Gr.304

REV	DESCRIPTION	DRAWN	CHKD	DATE	DIMENSIONS IN MILLIMETRES UNLESS OTHERWISE STATED
0	ORIGINAL ISSUE	D.C.S.	G.P.	6/3/2013	IF IN DOUBT ASK DO NOT SCALE
1	SIDE EXIT NOW STANDARD	L.P.	G.P.	11/23/2016	
2	PIT ARRANG: HOSE SIZE ADDED, OPTION A: OPTIONAL ADDED	GDS	I.S.	3/23/2017	THIRD ANGLE PROJECTION UNLESS OTHERWISE STATED
3	OPTIONS UPDATED AND REVISED	GDS	I.S.	7/20/2017	



ULTRASPIN PTY LTD
46 WADHURST DRIVE, BORONIA, VIC. 3155
PH +61 3 8841 7200

THIS DRAWING IS THE PROPERTY OF ULTRASPIN AND MUST NOT BE USED OR COPIED WITHOUT THEIR WRITTEN PERMISSION. FEATURES OF THE ULTRASPIN PRODUCTS AND PROCESS SHOWN ARE PATENTED OR PATENT PENDING. PROCESS AND EQUIPMENT DESCRIBED SHOULD NOT BE USED WITHOUT PRIOR WRITTEN CONSENT FROM ULTRASPIN
TM-TRADE MARK OF ULTRASPIN Pty Ltd

CONFIDENTIAL

TITLE
S1 SKIMMER AND OPTIONS

CLIENT
GENERAL ISSUE

SCALE NTS	SIZE A3	DOC No. I-S-0040-01	SHEET 1 of 1	REV 3
--------------	------------	------------------------	-----------------	----------