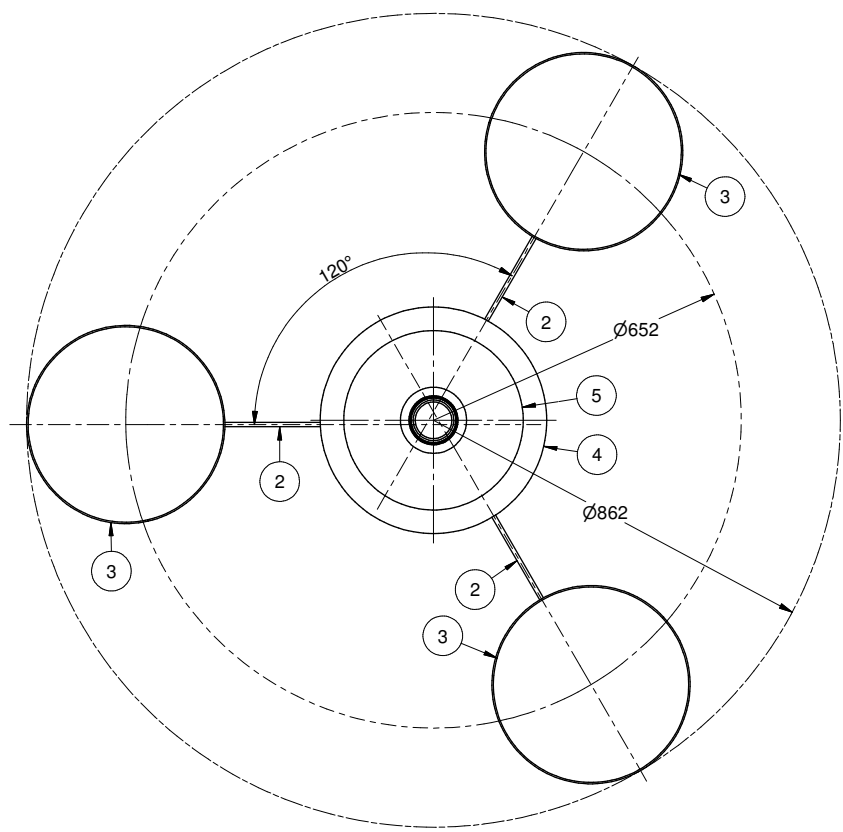
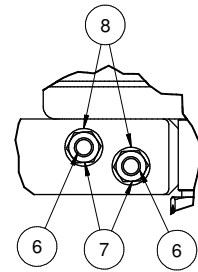


PRO-SKI-5

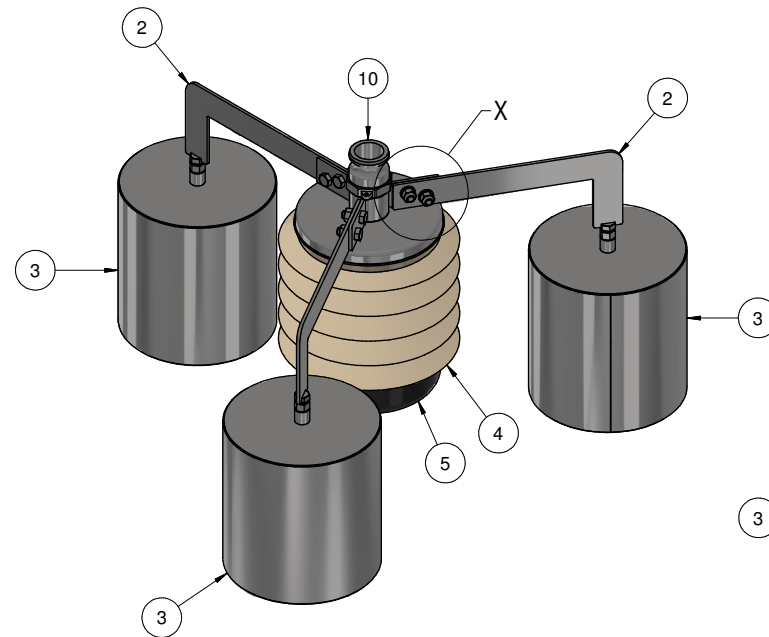
ITEM	ITEM QTY	DESCRIPTION
1	1	FLOAT TRAY ASSEMBLY
2	3	FLOAT ARM ASSEMBLY
3	3	FLOAT TUBE ASSEMBLY
4	1	BELLOW
5	1	DONUT
6	6	BOLT - M10x25Lg.
7	6	M10 LOCK NUT
8	6	M10 FLAT WASHER
9	3	M12 NUT
10	1	1½" MALE QUICK COUPLER



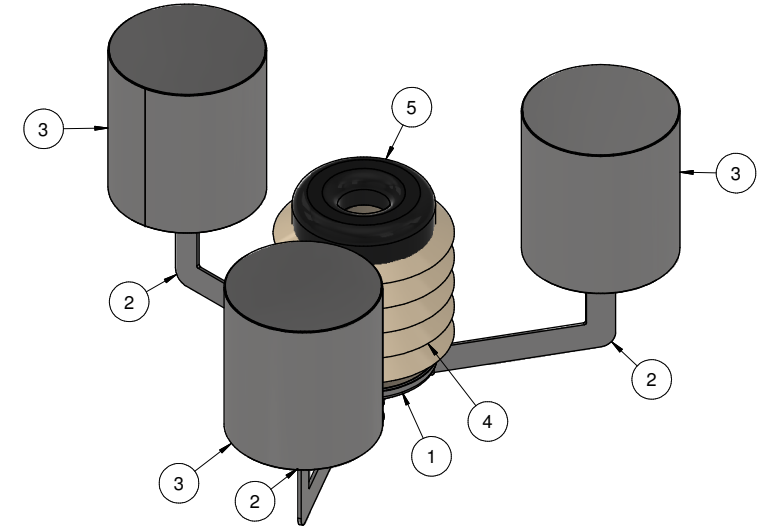
PLAN VIEW
SCALE: 1 : 4



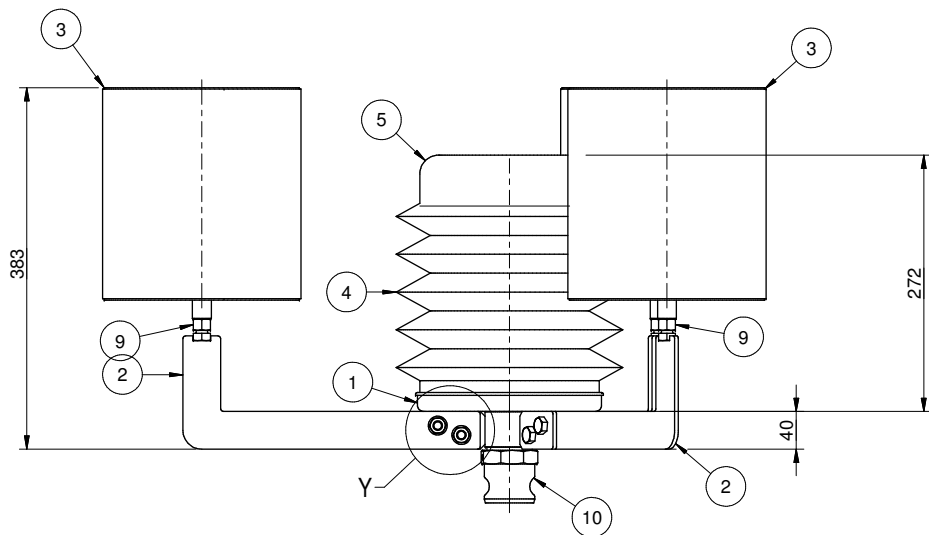
DETAIL 'Y'
SCALE: 1 : 2



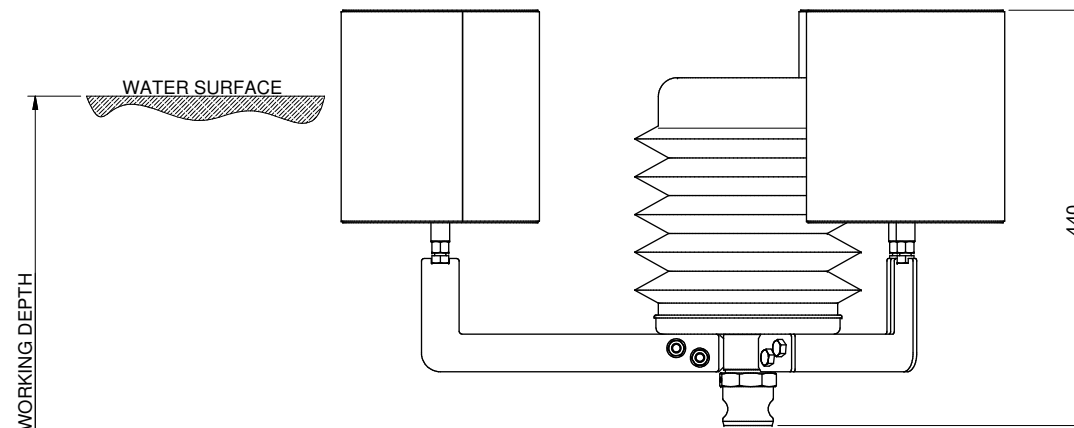
ISO VIEW '2'
SCALE: 1 : 5



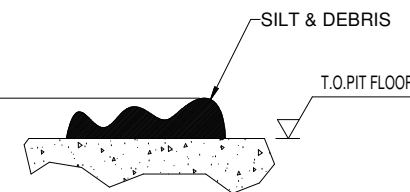
ISO VIEW '1'
SCALE: 1 : 5



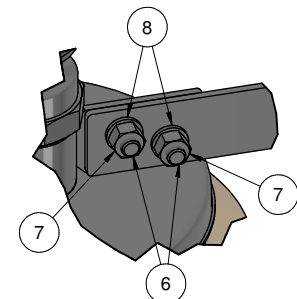
FRONT VIEW
SCALE: 1 : 4



SKIMMER APPLICATION
SCALE: 1 : 4



NOTE: ALLOW FOR SILT AND DEBRIS WHEN DETERMINING WORKING DEPTH



DETAIL 'X'
SCALE: 1 : 2



FOR INFORMATION
PROCON ENVIRONMENTAL TECHNOLOGIES
S1 SKIMMER
GENERAL ARRANGEMENT OF
S1 GENERIC SKIMMER

DRAWING No.	DRAWING TITLE	REV	DESCRIPTION	BY	DATE	PLANT APP	DATE	ENG APP	DATE
		0	ISSUED FOR INFORMATION	CdV	08/04/2024	DESIGN APP			
REFERENCE DRAWINGS									
REVISIONS									

DRAWN BY	CdV	DATE	08/04/2024	PROCON DRAWING No.	
CHECKED BY	CR	DATE	08/04/2024	PRO-GEN-SKI-001	
DATE		DATE		CLIENT DRAWING No.	
PLANT APP		DATE			
ENG APP		DATE			