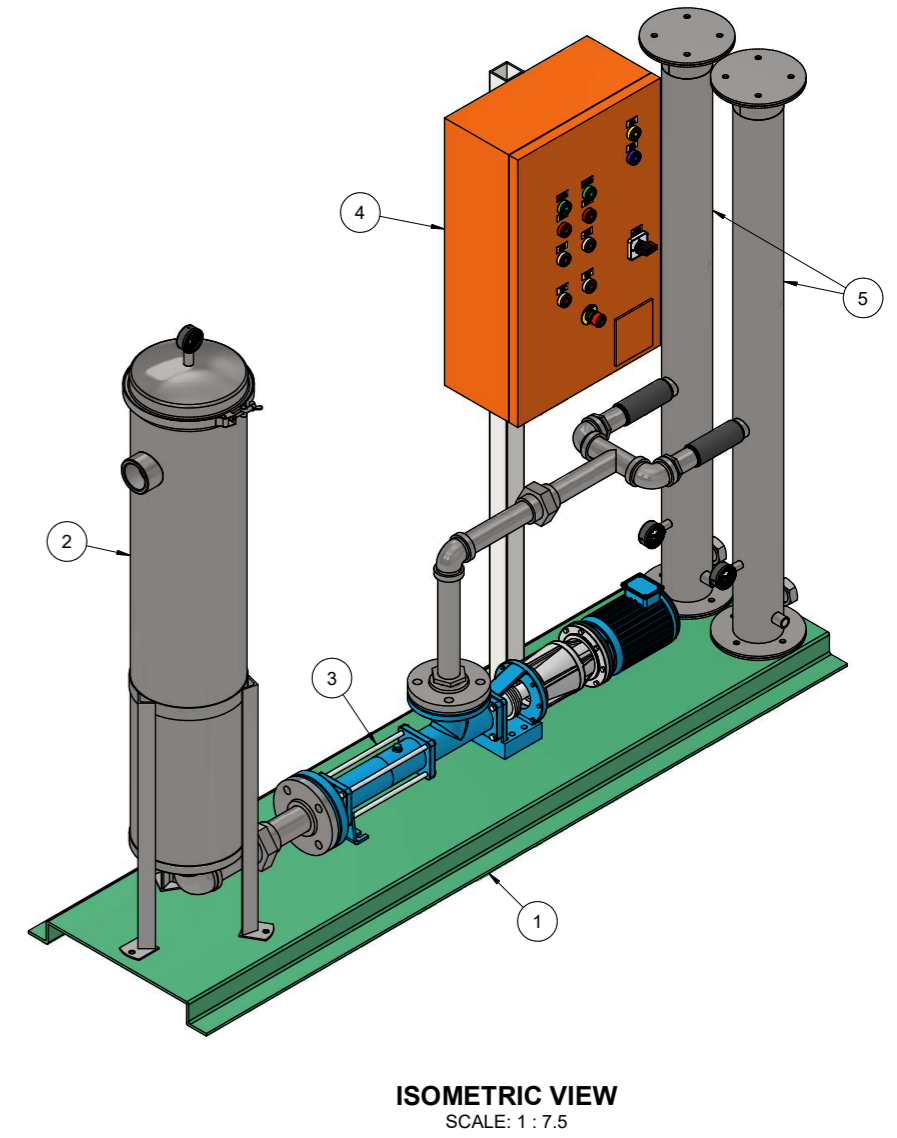
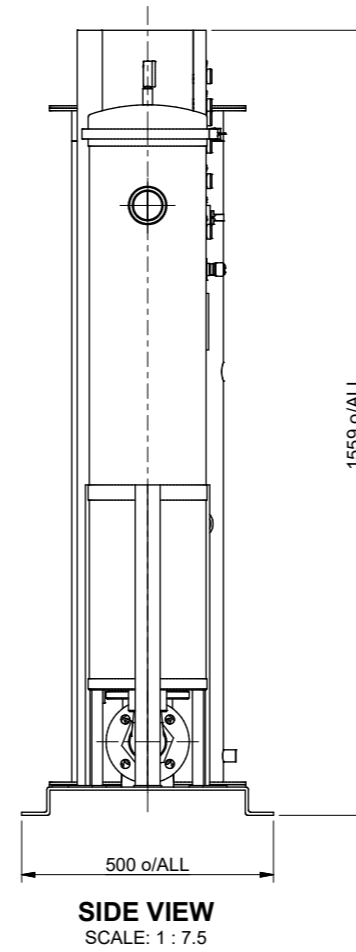
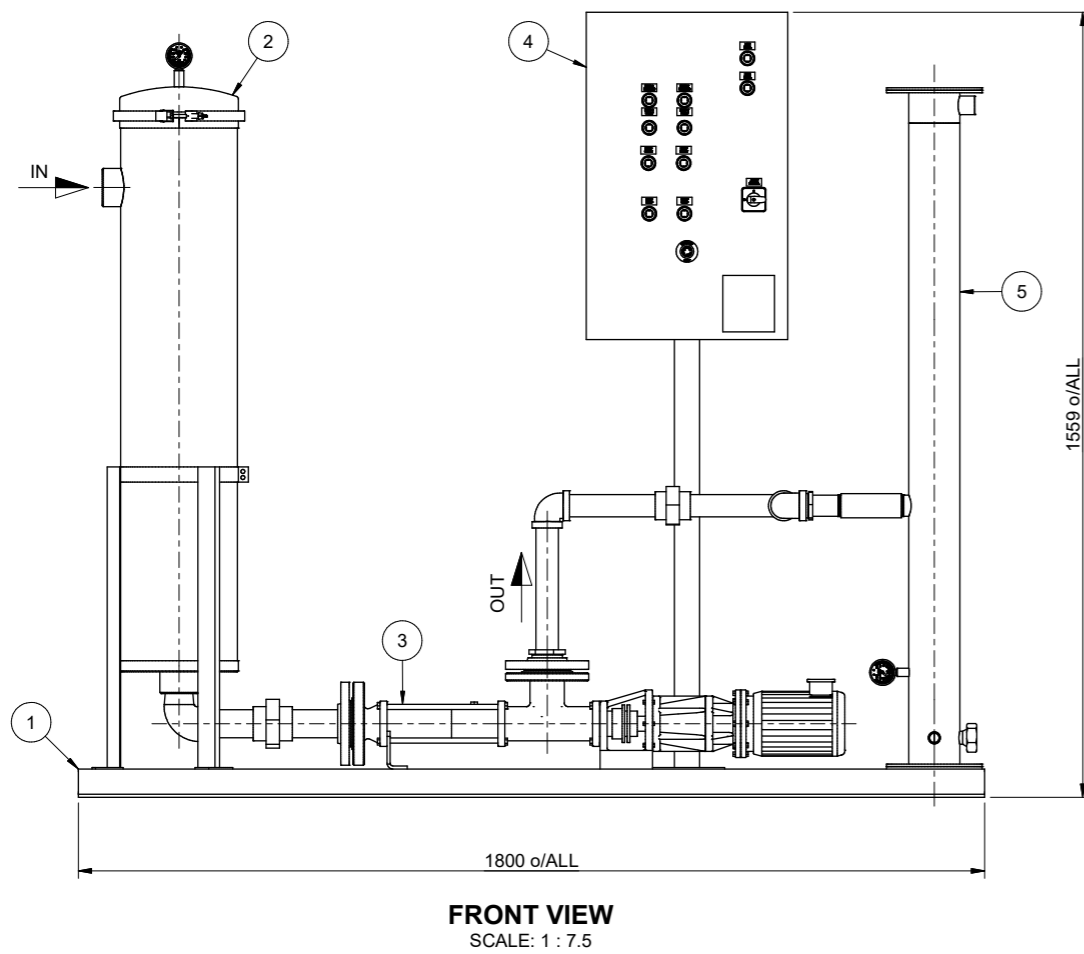
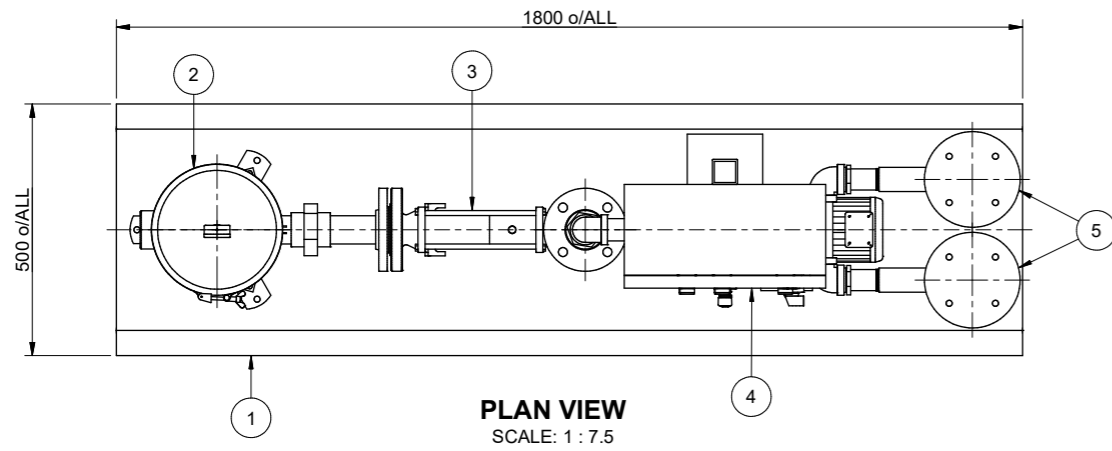


ITEM	QTY	DESCRIPTION
1	1	SKID
2	1	STRAINER VESSEL
3	1	PUMP ASSEMBLY
4	1	CONTROL PANEL
5	2	LINER VESSELS



**AS BUILT**

**PROCON ENVIRONMENTAL TECHNOLOGIES  
OIL/WATER SEPERATION SYSTEM  
GENERAL ARRANGEMENT**

DRAWING No.	DRAWING TITLE	REV	DESCRIPTION	BY	DATE	PLANT APP	DATE	ENG APP	DATE
		0	AS BUILT	CdV	2023/09/11				
<b>REFERENCE DRAWINGS</b>									
<b>REVISIONS</b>									

DRAWN BY	CdV	DATE	06/09/2023	PROCON DRAWING No.
CHECKED BY	RR	DATE	06/09/2023	<b>PRO-OWS-001</b>
DESIGN APP		DATE		CLIENT DRAWING No.
PLANT APP		DATE		
ENG APP		DATE		

REV 0