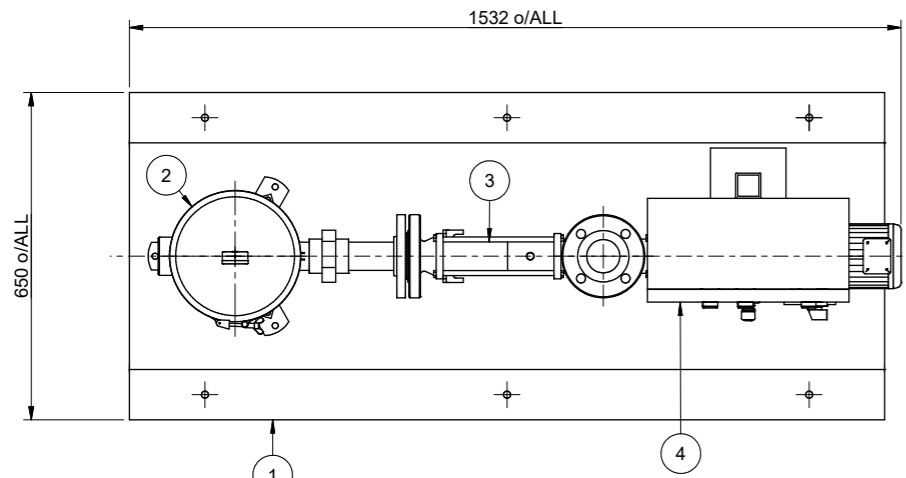
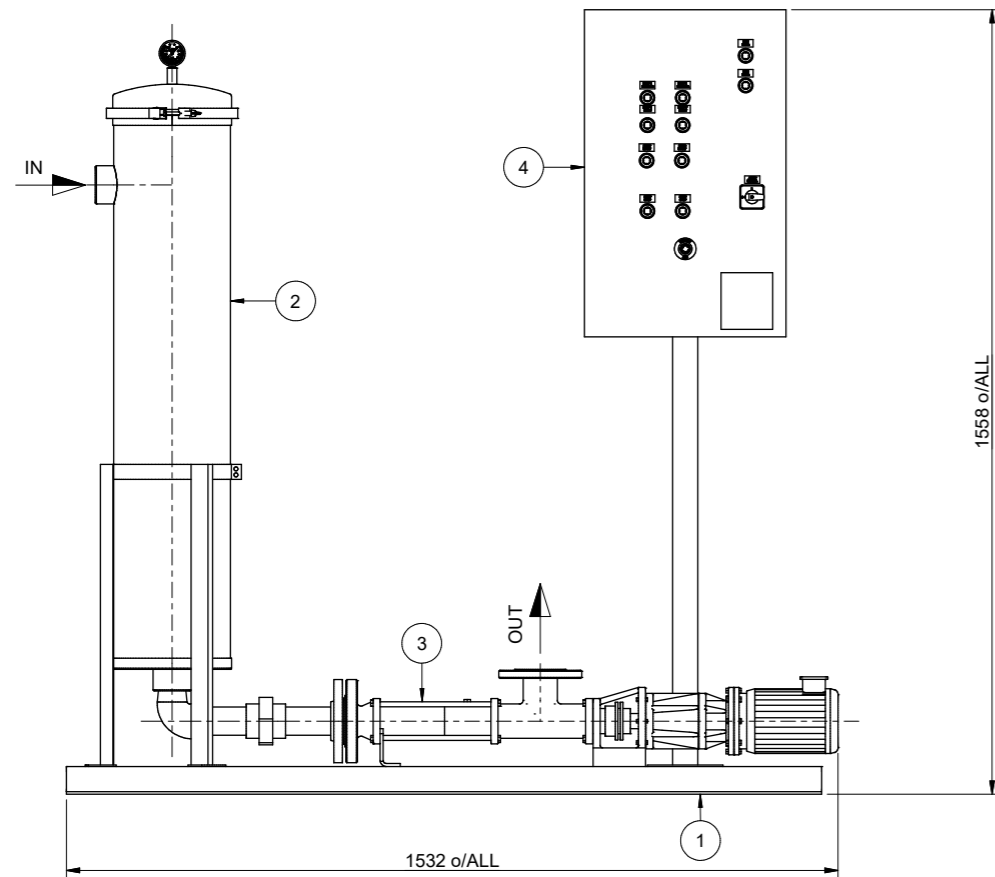


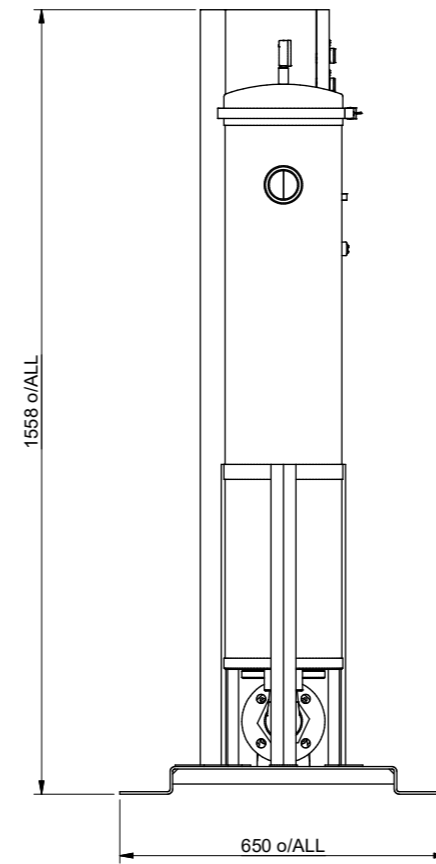
ITEM	QTY	DESCRIPTION
1	1	SKID
2	1	STRAINER VESSEL
3	1	PUMP ASSEMBLY
4	1	CONTROL PANEL



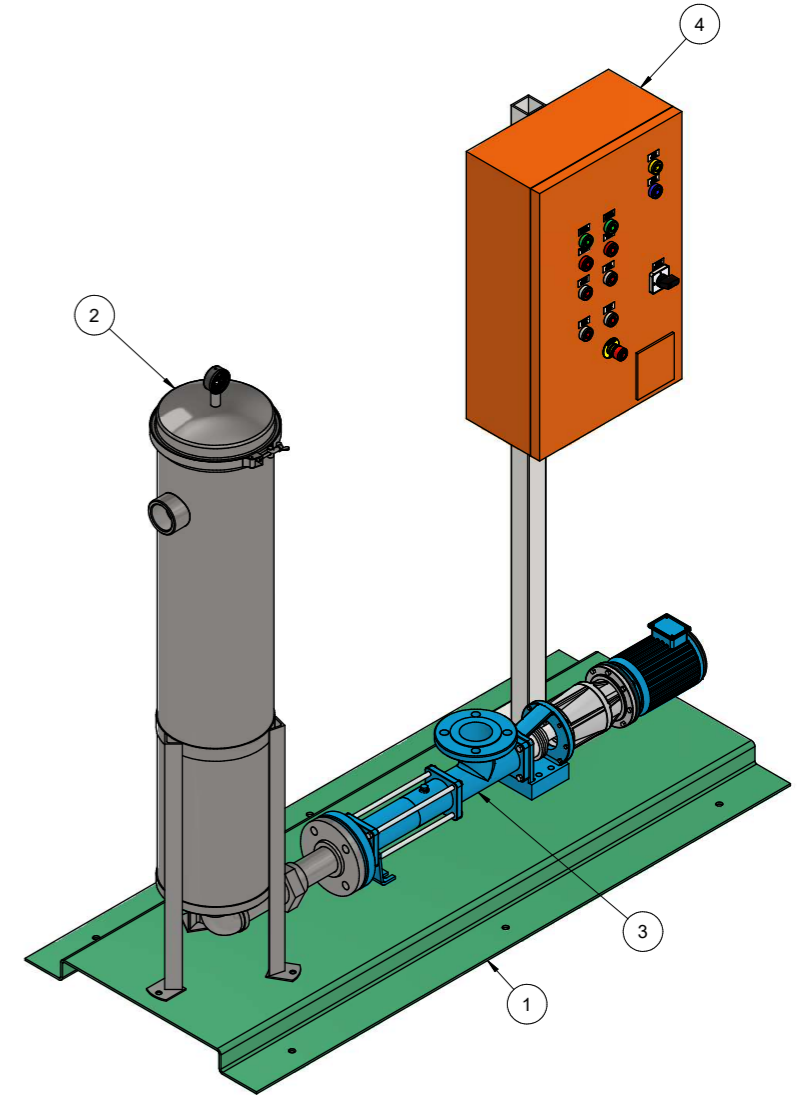
PLAN VIEW
SCALE: 1 : 7.5



FRONT VIEW
SCALE: 1 : 7.5



SIDE VIEW
SCALE: 1 : 7.5



ISOMETRIC VIEW
SCALE: 1 : 7.5



AS BUILT

**PROCON ENVIRONMENTAL TECHNOLOGIES
FREE OIL RECOVERY SYSTEM
GENERAL ARRANGEMENT**

DRAWN BY	CdV	DATE	06/09/2023	PROCON DRAWING No.
CHECKED BY	RR	DATE	06/09/2023	PRO-FOR-001
DESIGN APP		DATE		CLIENT DRAWING No.
PLANT APP		DATE		
ENG APP		DATE		

DRAWING No.	DRAWING TITLE	REV	DESCRIPTION	BY	DATE	PLANT APP	DATE	ENG APP	DATE
		0	AS BUILT	CdV	2023/09/11				
REFERENCE DRAWINGS					REVISIONS				